

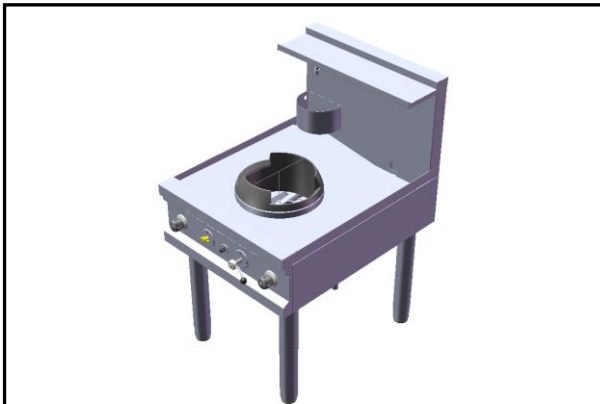


Total Food-Service Solutions

## Modular Cooking –Oriental

### Gas Wok Range

#### NGWR 7-90 W1



\*Due to routine technical improvement, the photograph shown may not represent the latest design of the products.

#### AVAILABLE MODEL

1. NGWR 7-90 W1

#### DESCRIPTION

Gas Wok Range with Single Wok. Configuration of 1 Wok without Soup Warmer. Top Panel Constructed with deep drawn dome for the wok. Includes Wok Holder and Wall-Mounted Faucet. Lever is positioned at knee level for ergonomic operation of an oriental. Compatible installation with others 90 Wok Range Series.

ITEM# : \_\_\_\_\_

MODEL# : \_\_\_\_\_

NAME : \_\_\_\_\_

SN : \_\_\_\_\_

#### MAIN FEATURE

- Powerful 18 kW burner reinforced with efficient atmospheric burner.
- Unit to be installed free standing.
- Slanted top panel, ensuring water to go in to the back drain.
- Equipped with top panel cooling water system.

#### CONSTRUCTION

- All Exterior panel is stainless steel.
- Full weld top panel of the wok for maximum hygienic.
- Top mounted by 1.2mm of Stainless Steel.
- Adjustable  $\pm 25$  mm Stainless Steel leg.

#### INCLUDED ACCESSORIES

- Ignition Hand Lighter

#### OPTIONAL ACCESSORIES

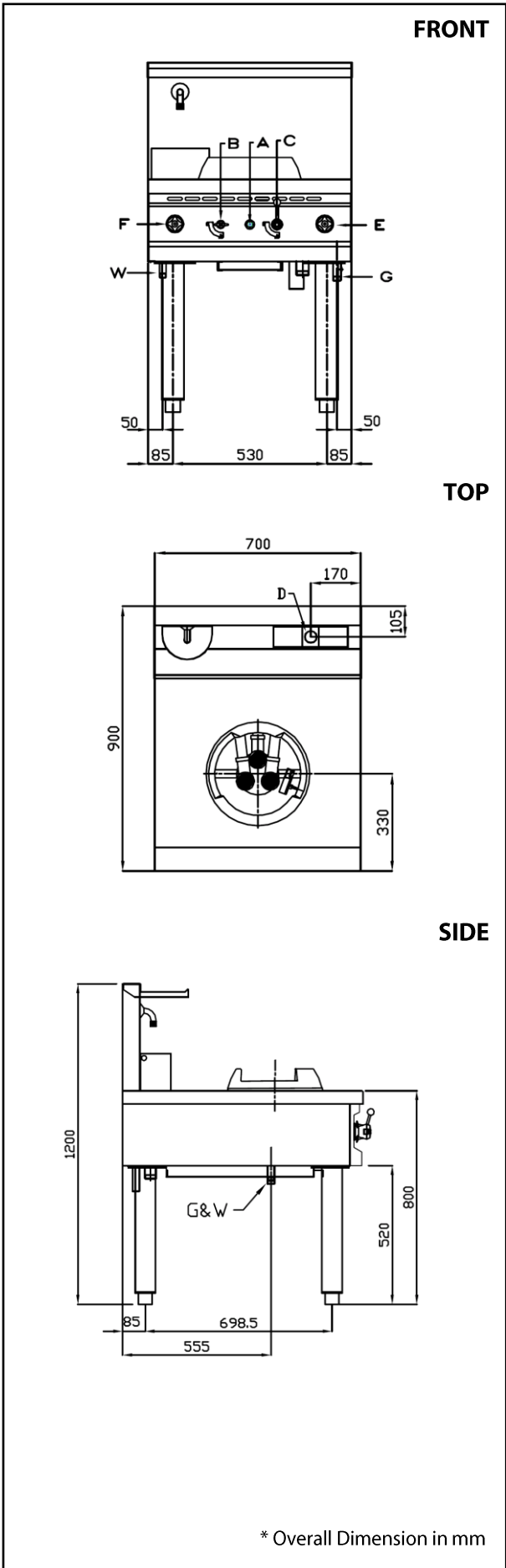
- N/A



\_\_\_\_\_

The company reserves the right to make modifications to the products without prior notice. All information correct at time of printing.

2018.01.03



**GAS**

Gas Consumption	:	18 Kw (15,480kCal/h)
Gas Type Option	:	G20,G25,G30/G31
Gas Connection	:	¾"
LPG Gas Pressure	:	G30: 28 mbar

**KEY INFORMATION**

Cooking surface wok	:	Ø 280 mm
Cooking surface pot holder	:	Ø 280 mm
Drain	:	Ø 1 ¼"
Water inlet	:	Ø ½"
Direct heat emission	:	-
Latent heat emission	:	-
Steam emission	:	-
Net weight	:	-
Shipping height	:	-
Shipping width	:	-
Shipping depth	:	-
Shipping volume	:	-